

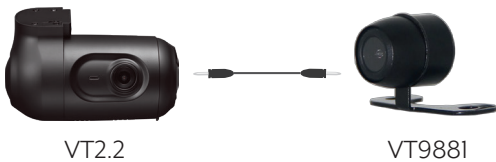
## VT9881



## VT9881

### FORWARD-FACING CAMERA

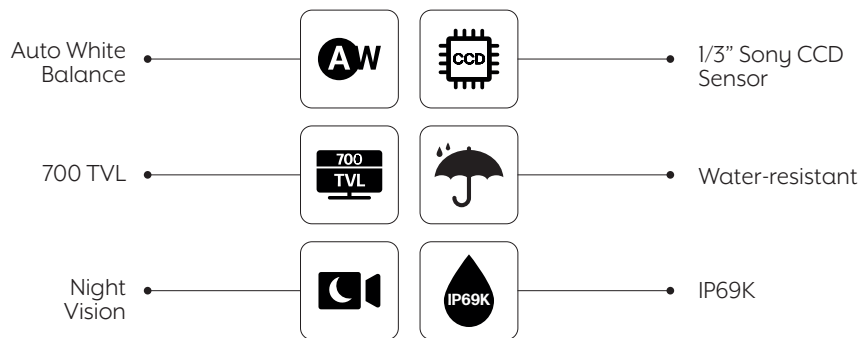
The **VT9881** is a compact forward-facing camera suitable for both external and internal use. With a water-resistant IP69K design and SONY CCD sensor, this camera is ideal for forward-facing and driver-facing applications.



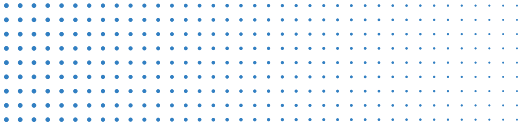
- ✓ VT9881 can be connected to the VT2.2 and used as a secondary driver or passenger-facing camera



### Key features:



**t** +44 (0) 1246 225 745  
**e** info@visiontrack.com  
**w** visiontrack.com  
**s** support.visiontrack.com

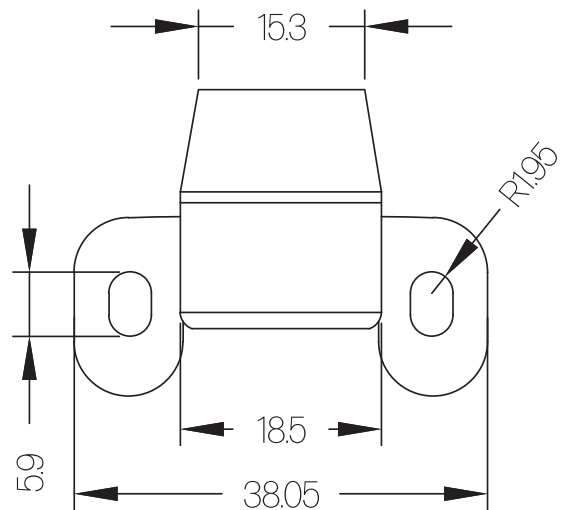
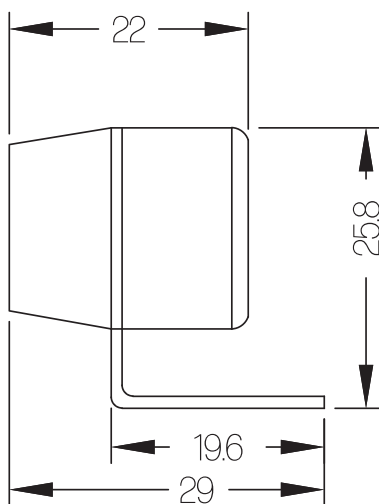


## VT9881

### Specifications:

Chip	1/3 SONY CCD IMX225
Frame Rate	25fps
TVL	700TVL
Pixel Size	3.75um x 3.75um
Scanning System	Progressive Scanning
Sync. System	Internal
Video Output	1.0Vp-p,75Ohm
Gamma Consumption	0.45
White Balance	Auto
Electronic Shutter	1/25 (1/30)~1/50.000 Seconds
Operating Temperature	- 20°C ~ 70°C, RH95% MAX.
Storage Temperature	- 30°C ~ 80°C, RH95% MAX.
Power Supply	DC3.5~5V
Plug	S jack
IP Rating	IP69K

### Dimensions (mm):



**t** +44 (0) 1246 225 745  
**e** info@visiontrack.com  
**w** visiontrack.com  
**s** support.visiontrack.com